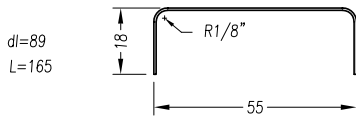
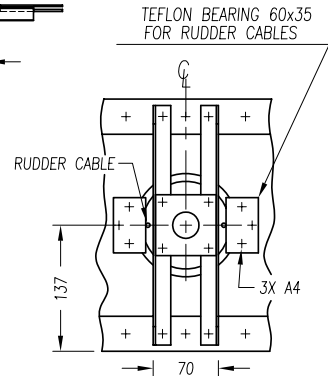
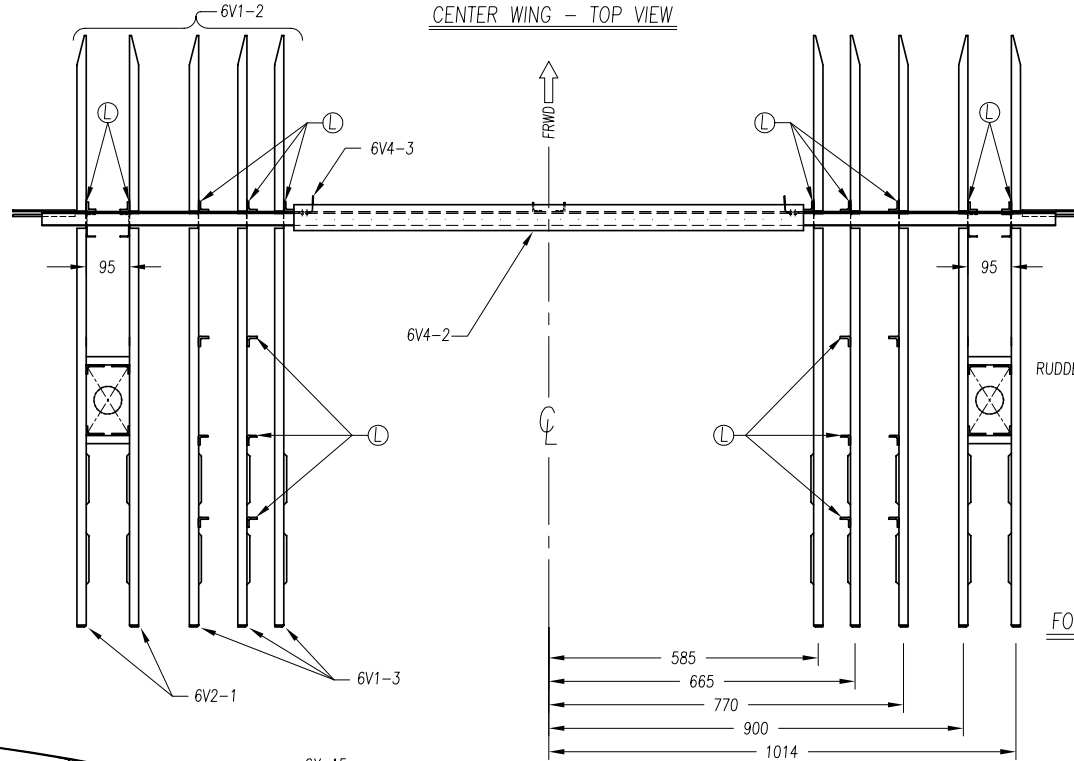


① **AILERON BELLCRANK SUPPORT (4 REQ'D)**  
ALUM. EXTRUSION 1" x 1-1/2" x 1/8"

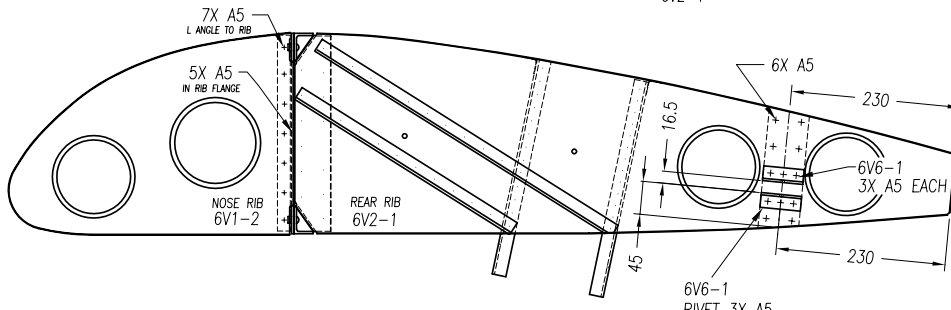


② **BELLCRANK SUPPORT CHANNEL**  
t=.025" (2 REQ'D)

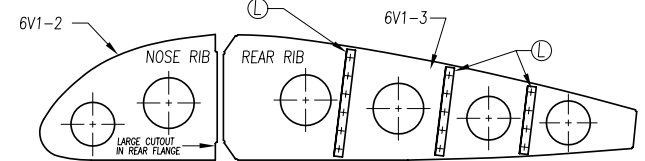
CENTER WING - TOP VIEW



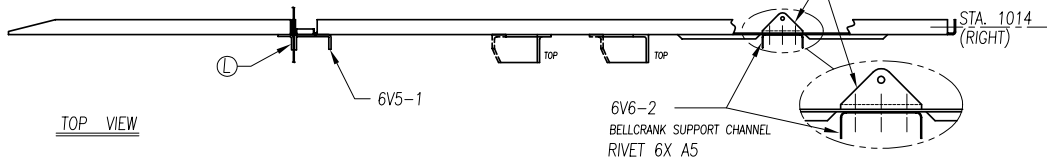
FORWARD STICK BEARING DETAIL



RIVET NOSE RIBS TO REAR RIBS THROUGH "L" ANGLE AND SPAR WEB WITH 5 A5 RIVETS AT STA. 585, 665 & 770



NOTE: THE L ANGLES ARE CENTERED BETWEEN THE FLANGED LIGHTENING HOLES AND APPROXIMATELY 97° TO TOP OF RIB ANGLES ON RIBS STA. 665 & 770 (LEFT & RIGHT)



TOP VIEW

ZODIAC  
CH 601 HD

LANDING GEAR RIB BOX  
SUB-ASSEMBLY

6-V-6

copyright ©2001 Zenith Aircraft Co. zenithair.com. EDN001 4th 04/01