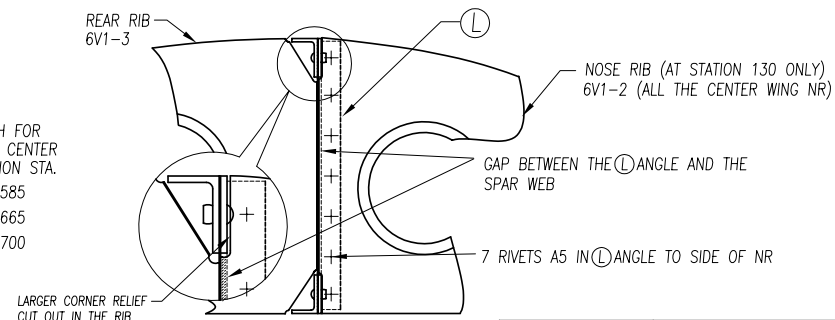
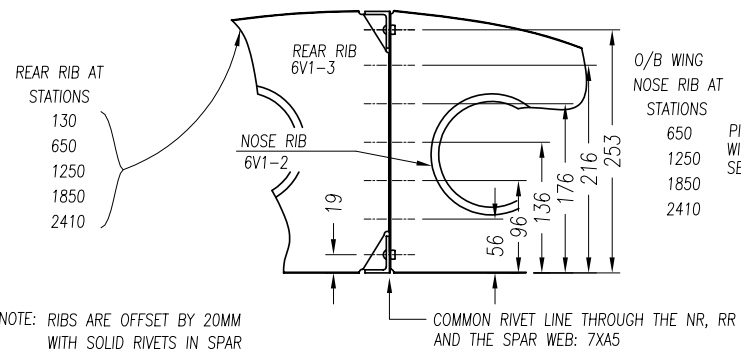


1 TIE DOWN RING
(QTY 3)
SEE 6-F-3

RIGHT WING SKELETON - TOP VIEW



NOTE: LARGER CUTOUT IN 6V1-2 ARE ALSO REQUIRED ON THE WIND CENTER SECTION

ZODIAC CH 601 HD	RIGHT WING SKELETON	6-V-3
	<small>copyright ©2001 Zenith Aircraft Co. zenithair.com</small>	

EDITION: 4th 04/01