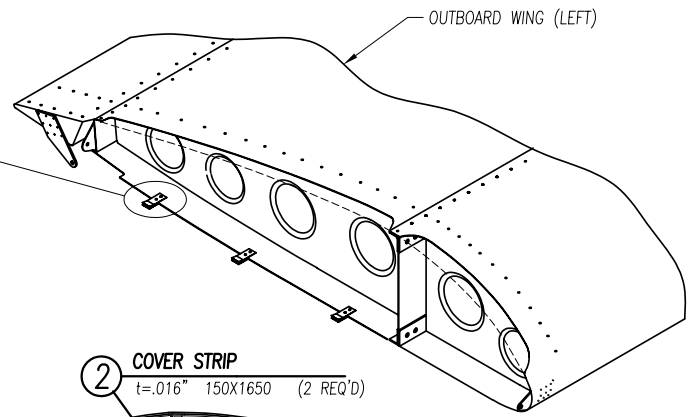
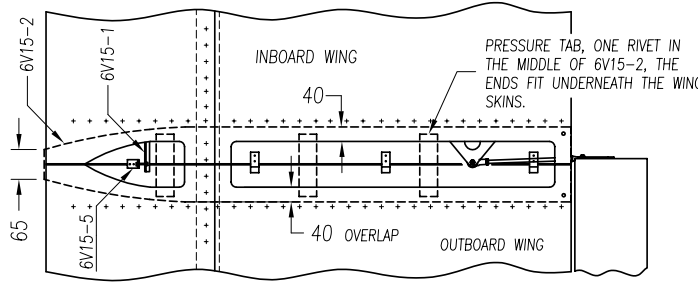


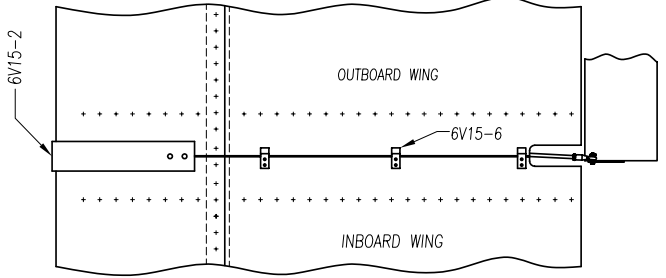
**6 SKIN SUPPORT**  
t=.025" 20X50 (12 REQ'D)



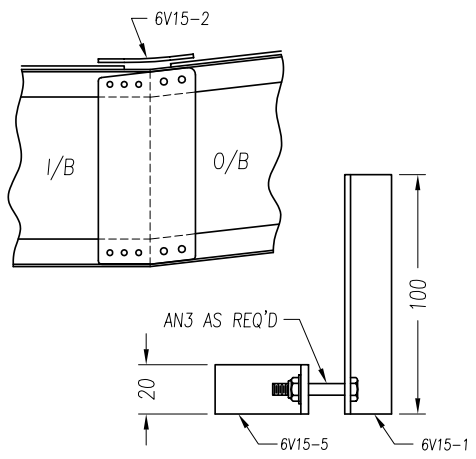
**2 COVER STRIP**  
t=.016" 150X1650 (2 REQ'D)



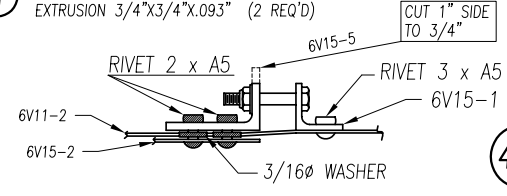
← FRWD **TOP VIEW**



**BOTTOM VIEW**



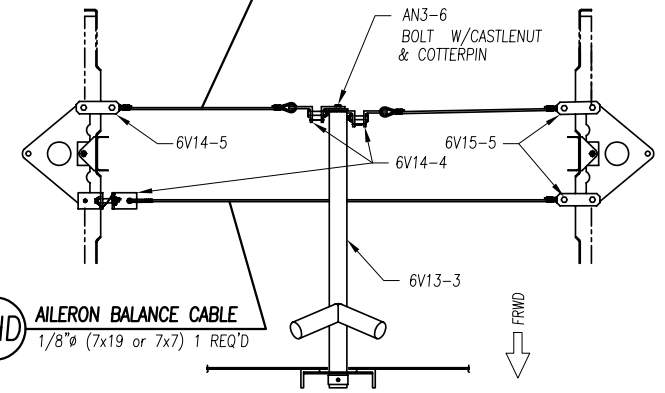
**1 SUPPORT**  
EXTRUSION 3/4"x3/4"x.093" (2 REQ'D)



**5 FITTING**  
EXTRUSION 1-1/2"x1"x1/8" (4 REQ'D)  
LENGTH=20

**DETAIL "A"**

**3HD AILERON CONTROL CABLE**  
1/8"Ø (7x19 or 7x7) 2 REQ'D



**4HD AILERON BALANCE CABLE**  
1/8"Ø (7x19 or 7x7) 1 REQ'D

ZODIAC  
CH 601 HD

WING SPLICES  
AILERON CONTROL

6-V-15