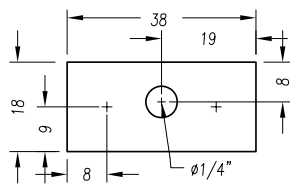
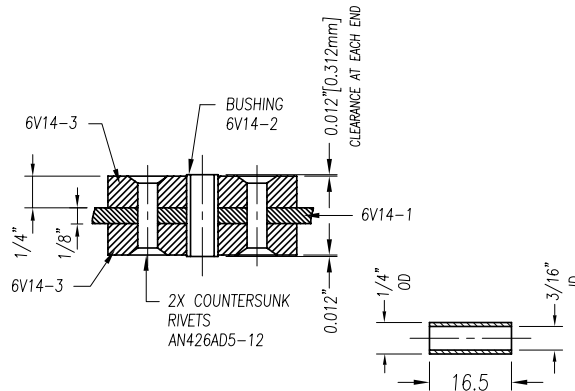


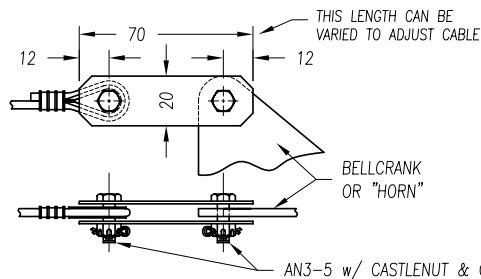
1 AILERON BELLCRANK
t=1/8" (2 REQ'D)



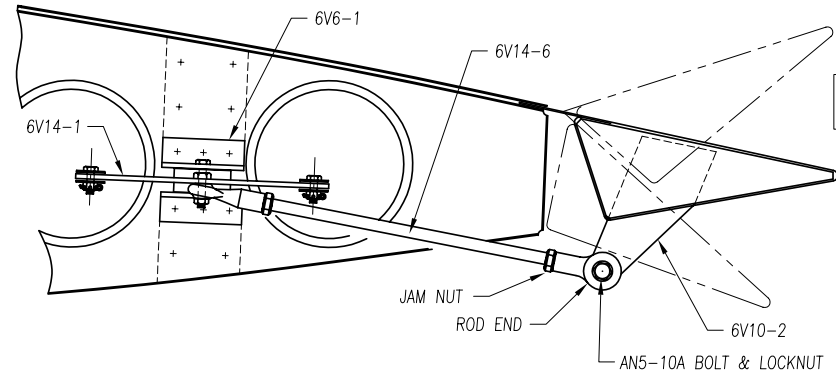
3 SPACER
t=1/4" (4 REQ'D)



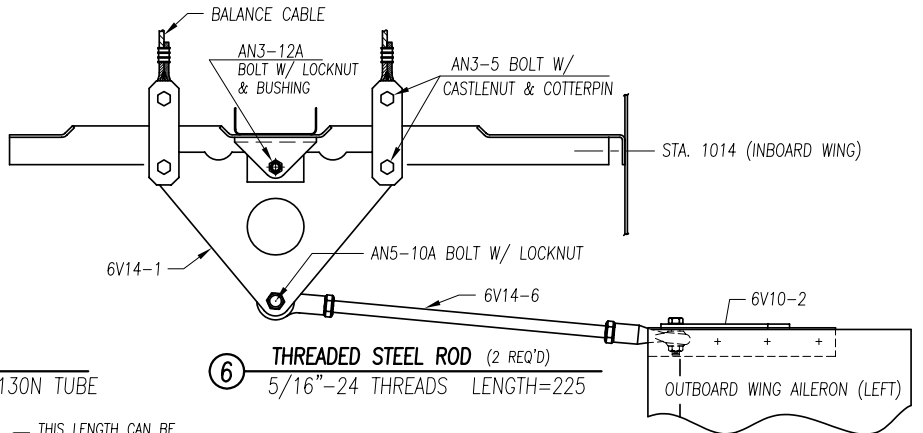
2 BUSHING (2 REQ'D)
 $\phi 1/4''$ OD. x .028" WALL 4130N TUBE



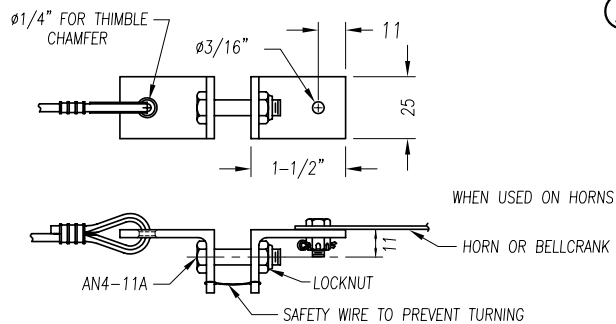
5 CABLE ADJUSTER
t=.040" (18 REQ'D)



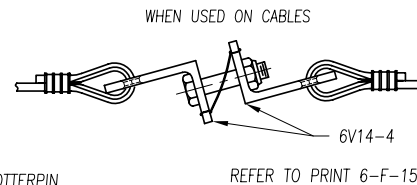
SEE MANUAL FOR AILERON DEFLECTION



6 THREADED STEEL ROD (2 REQ'D)
5/16"-24 THREADS LENGTH=225



4 CABLE TENSIONER
EXTRUSION 1-1/2"x1"x1/8" (7 ASSEMBLIES REQ'D)



NOTE: 6-V-14-4 CAN BE REPLACED WITH A CLASSIC "TURN BARREL" OR COMPLETELY DELETED AND COMPENSATED FOR BY ADJUSTING THE LENGTH OF 6-V-14-5.

ZODIAC
CH 601 HD

AILERON BELLCRANK AND
CABLE ADJUSTER INSTALLATION

copyright ©2001 Zenith Aircraft Co. zenithair.com EDITION 4th 05/01

6-V-14