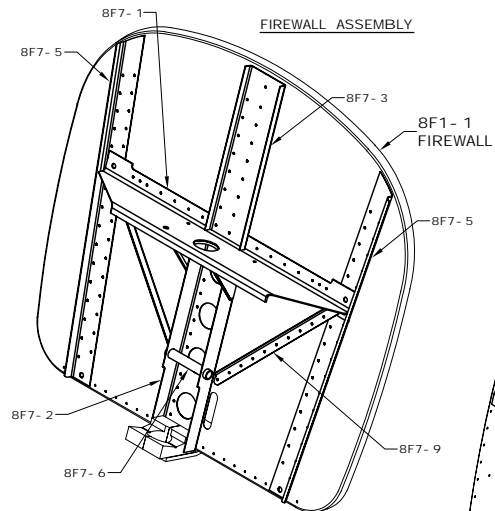


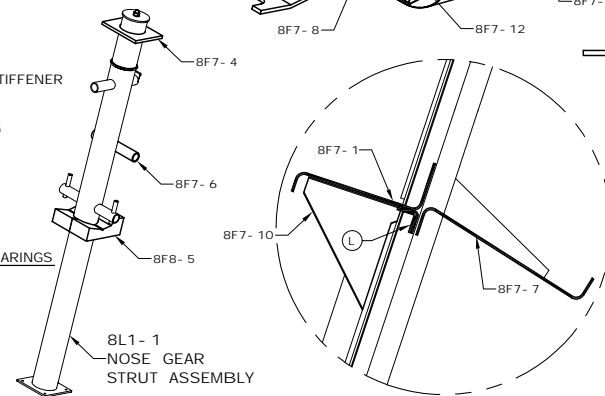
8F8-7 CABIN FLOOR
(LAYOUT OF PRE-DRILLED HOLES)



- 8F7-1 UPPER HORIZONTAL 'Z' (FRONT)
- 8F7-2 VERTICAL CENTER CHANNEL
- 8F7-3 VERTICAL TOP CHANNEL
- 8F7-4 NOSE GEAR UPPER BEARING
- 8F7-5 FIREWALL STIFFENERS
- 8F7-6 BUNGEE PIN
- 8F7-7 UPPER HORIZONTAL 'Z' REAR
- 8F7-8 LOWER HORIZONTAL FIREWALL ANGLE
- 8F7-9 FIREWALL BRACE
- 8F7-10 GEAR ANGLE
- 8F7-11 UPPER ENGINE MOUNT
- 8F7-12 LOWER ENGINE MOUNT

- 8F8-1 CENTER FORWARD FLOOR STIFFENER
- 8F8-3 FORWARD FLOOR STIFFENER
- 8F8-4 LOWER BEARING SUPPORT
- 8F8-5 LOWER NOSE GEAR BEARING
- 8F8-7 CABIN FLOOR

LANDING GEAR BEARINGS



STOL
CH 801

ORIGINAL INFO
MJM 09/11/01
REVISION INFO
MJM 01/16/02

DESCRIPTION
FUSELAGE: EXPLODED VIEW
PARTS 8F7-1 TO 8F8-7

ASSY NO.

8XF-2

COPYRIGHT © 2002 ZENITH AIRCRAFT CO. WWW.ZENITHAIR.COM