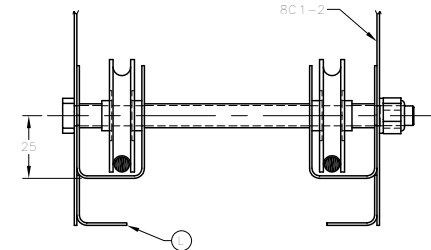
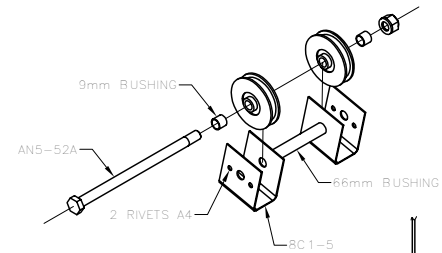
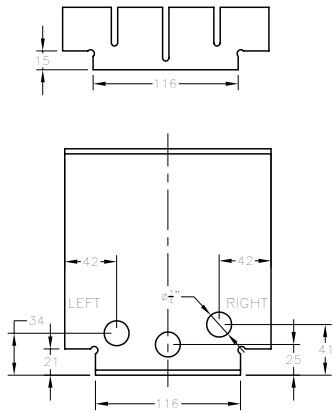
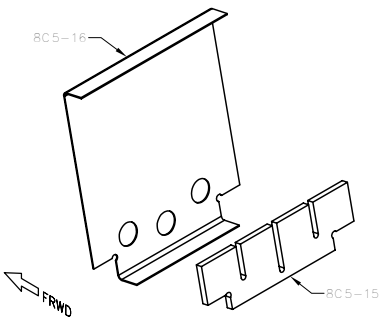
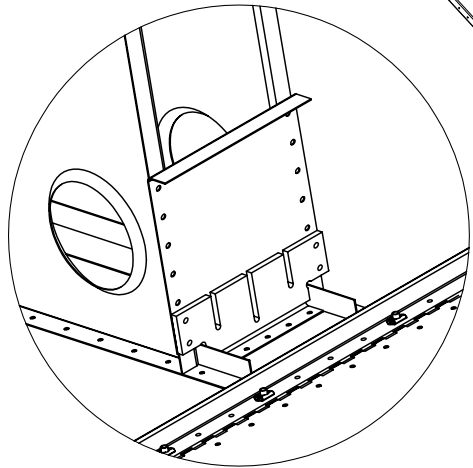
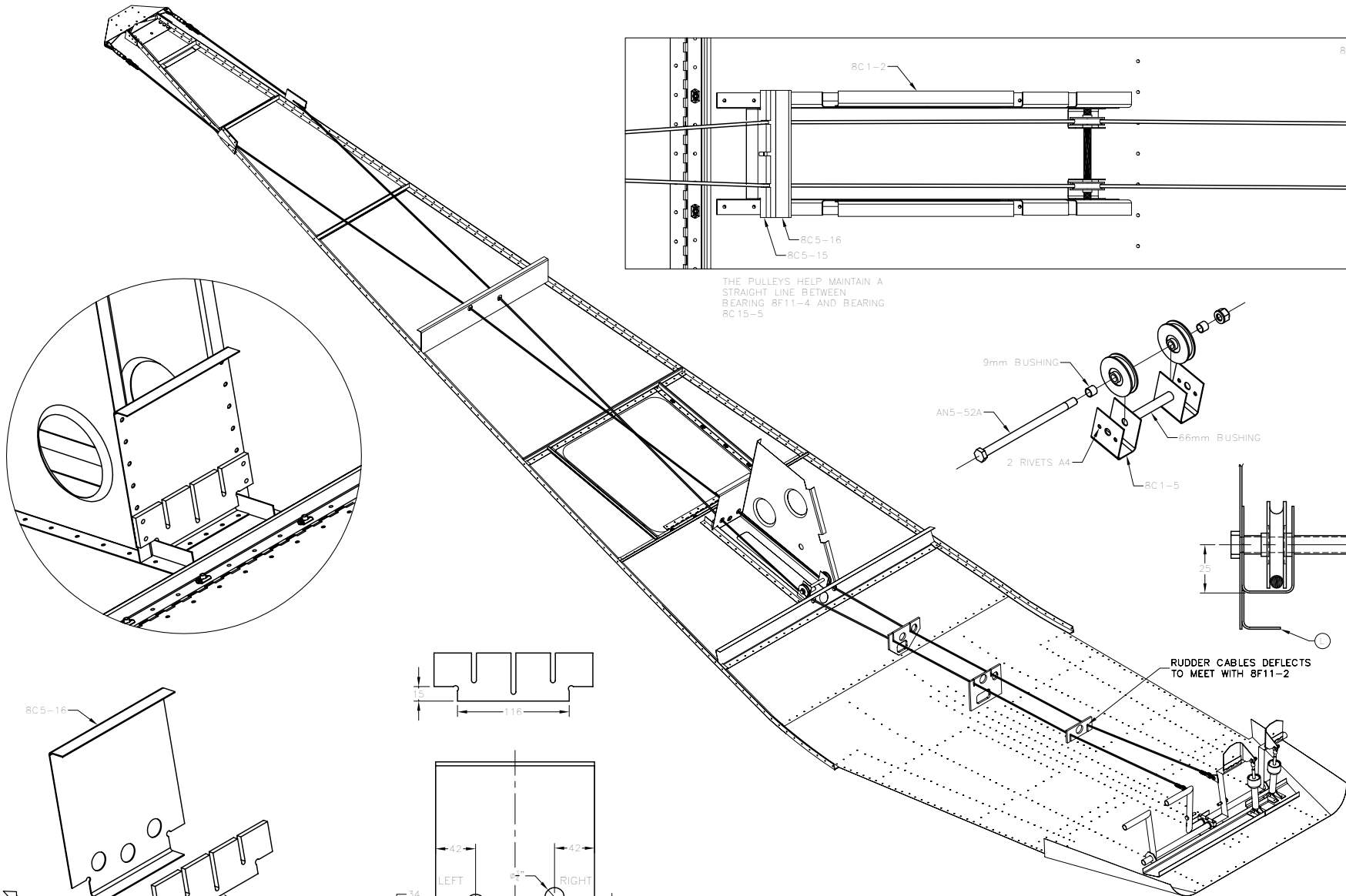


THE PULLEYS HELP MAINTAIN A STRAIGHT LINE BETWEEN BEARING 8F11-4 AND BEARING 8C15-5



RUDDER CABLES DEFLECTS TO MEET WITH 8F11-2



STOL CH 801	ORIGINAL INFO MJM 07/15/02 REVISION INFO	DESCRIPTION	ASSY NO.
		FUSELAGE CONTROLS: RUDDER CABLES	8CF-6
		COPYRIGHT © 2002 ZENITH AIRCRAFT CO. WWW.ZENITHAIR.COM	