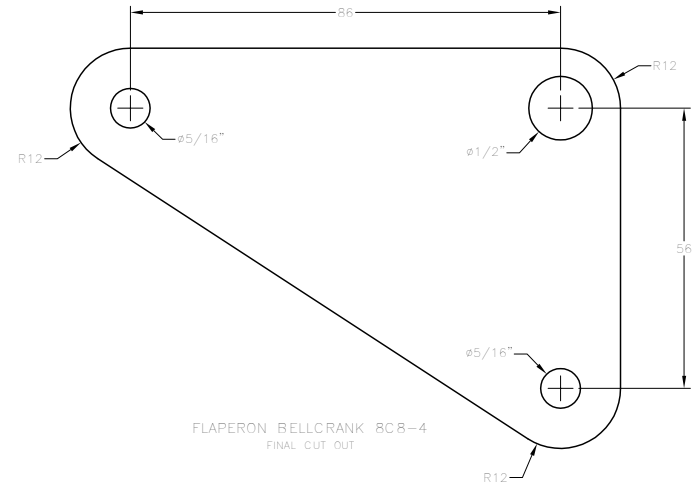
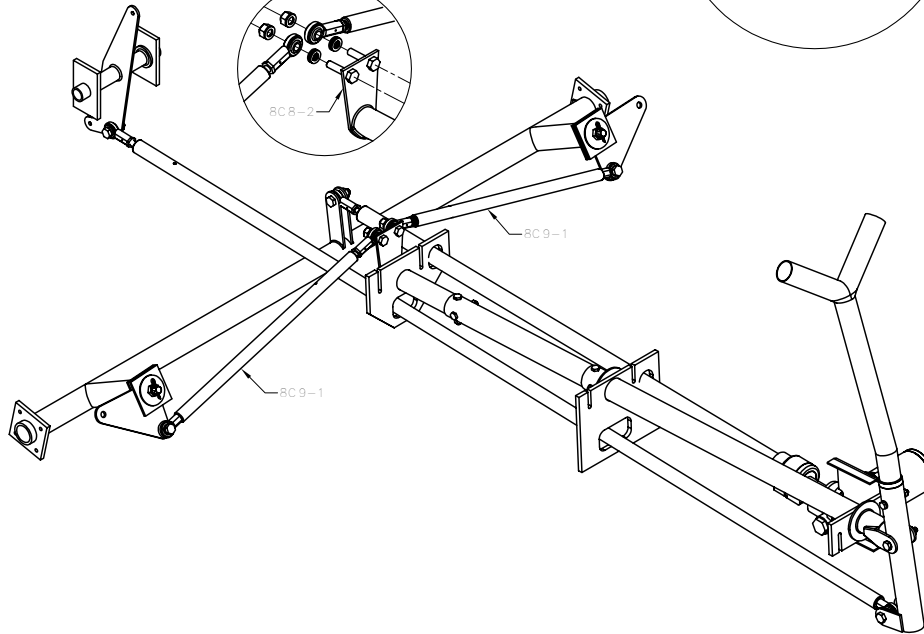
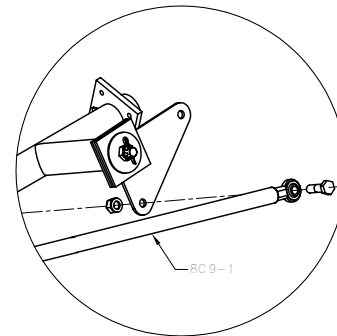
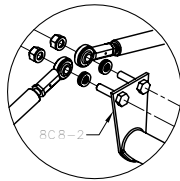
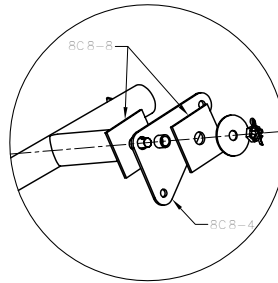


FLAPERON HORIZONTAL CONTROL ROD 8C9-1
ROD END TO ROD END LENGTH



FLAPERON BELLCRANK 8C8-4
FINAL CUT OUT



STOL CH 801	ORIGINAL INFO MJM 06/07/02	DESCRIPTION FORWARD CONTROLS: HORIZONTAL CONTROL RODS	ASSY NO.
	REVISION INFO MJM 07/12/02		8CF-4
		COPYRIGHT © 2002 ZENITH AIRCRAFT CO. WWW.ZENITHAIR.COM	