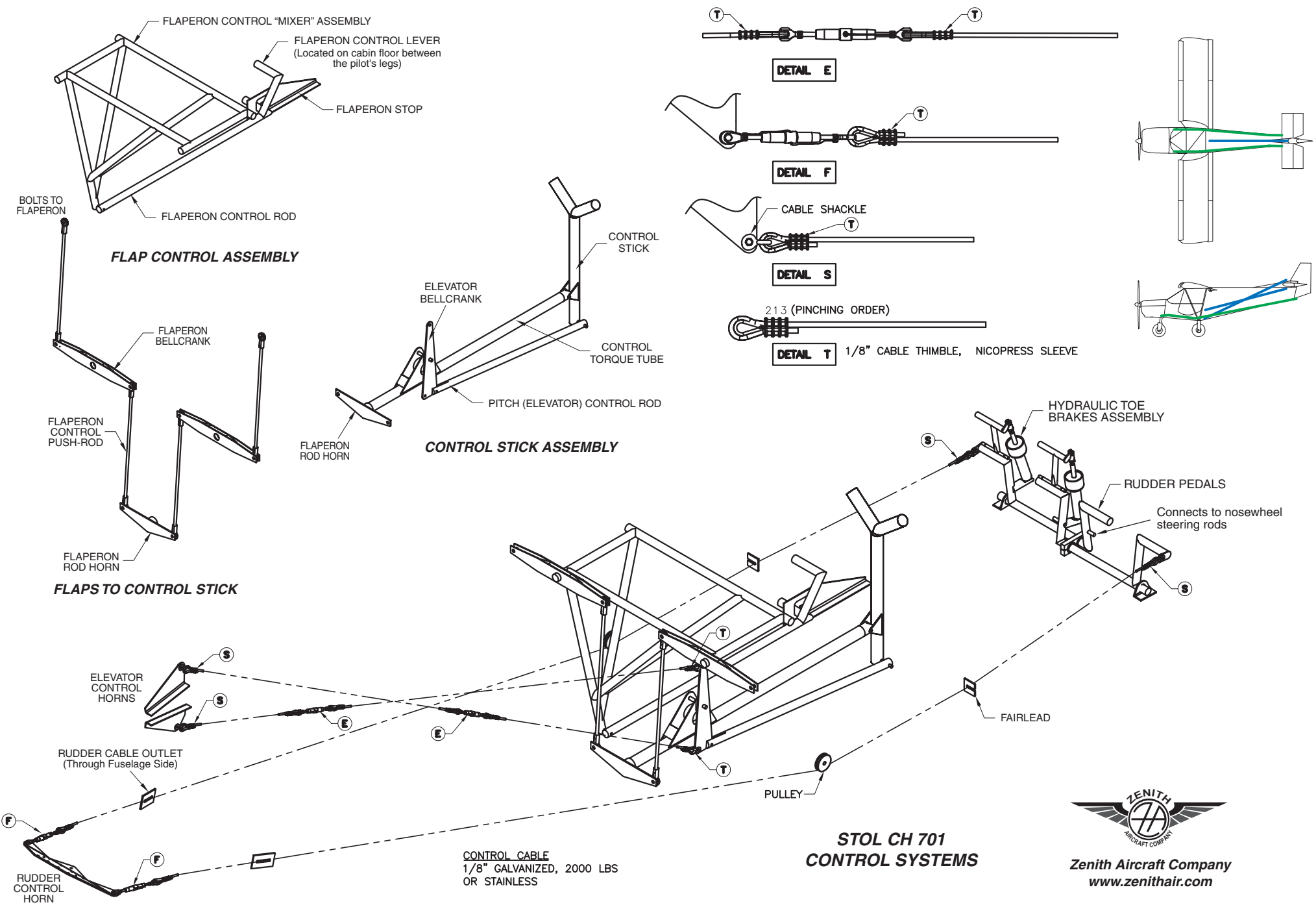


STOL CH 701 CONTROL SYSTEMS SCHEMATIC



DETAIL E

DETAIL F

DETAIL S

DETAIL T

213 (PINCHING ORDER)
1/8" CABLE THIMBLE, NICOPRESS SLEEVE

STOL CH 701
CONTROL SYSTEMS



Zenith Aircraft Company
www.zenithair.com