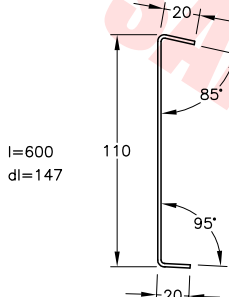
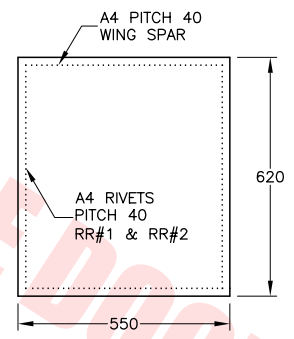
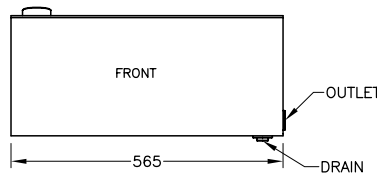


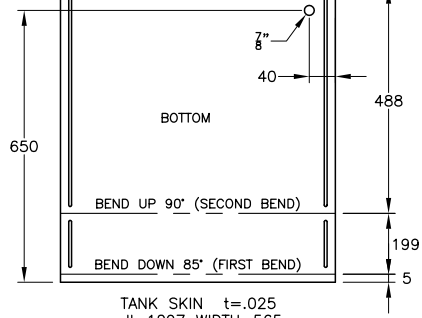
1K 10 GALLON WING TANKS
 t=.025" (1L & 1R REQ'D)



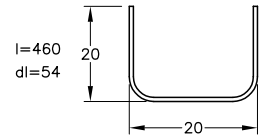
2K WING TANK CHANNEL
 t=.025" (2 REQ'D)



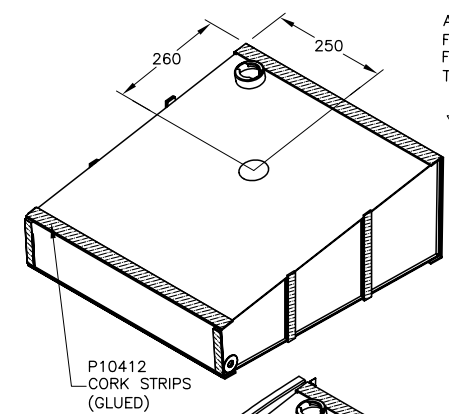
3K WING TANK COVER
 t=.016" (2 REQ'D)



TANK SKIN t=.025
 dl=1297 WIDTH=565

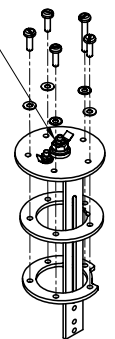


4K RIB CHANNEL
 t=.025" (4 REQ'D)

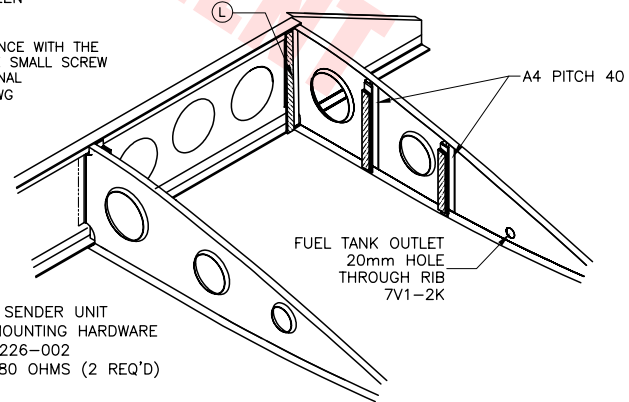


APPROXIMATE LOCATION OF FUEL TANK SENDER (POSITION FOR MAXIMUM CLEARANCE BETWEEN TANK AND TOP SKIN)

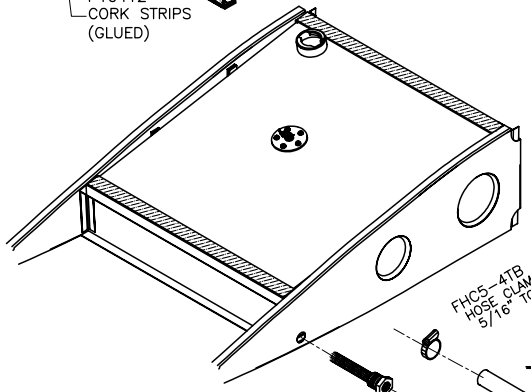
FOR ADDITIONAL CLEARANCE WITH THE TOP SKIN CUT-OFF THE SMALL SCREW AND USE A RING TERMINAL (SUD SIZE=5/16") 16AWG FOR SIGNAL CONNECTOR



FUEL SENDER UNIT W/ MOUNTING HARDWARE
 P/N 226-002
 10-180 OHMS (2 REQ'D)



FUEL TANK OUTLET
 20mm HOLE THROUGH RIB
 7V1-2K

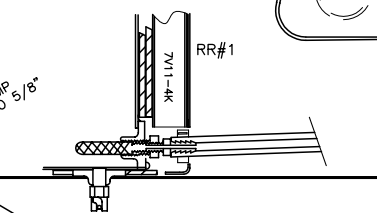


CAV-110 QUICK DRAIN
 1/8"NPT (2 REQ'D)

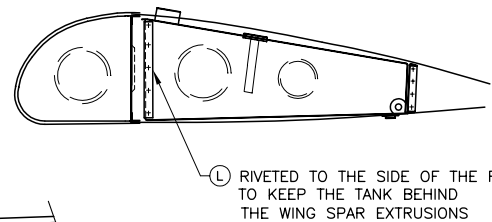
DX2021 FINGERSCREEN
 16MESH/INCH 3/8" NPT

F125-4B NIPPLE FITTING
 1/4" NOSE 1/4" NPT

FFLH-4 FUEL HOSE
 1/4" ID



WING TANK FUEL OUTLET AND DRAIN



RIVETED TO THE SIDE OF THE RIB TO KEEP THE TANK BEHIND THE WING SPAR EXTRUSIONS